

CJ19 Contactors For Power Factor Correction

Application

CJ19 series changeover capacitor contactor is mainly applicable to a power line of AC 50Hz or 60Hz, rated working voltage up to 380V. It is used to put a low voltage parallel connected capacitor in operation or switch it off in a low voltage reactive power compensation device. The contactor is equipped with a surge suppressor, which can effectively reduce the surge current passing through the capacitor at weitching on and suppress the over-voltage at switching off. The product is in conformity with the standards IEC947-4-1.



CJ19-25~32C

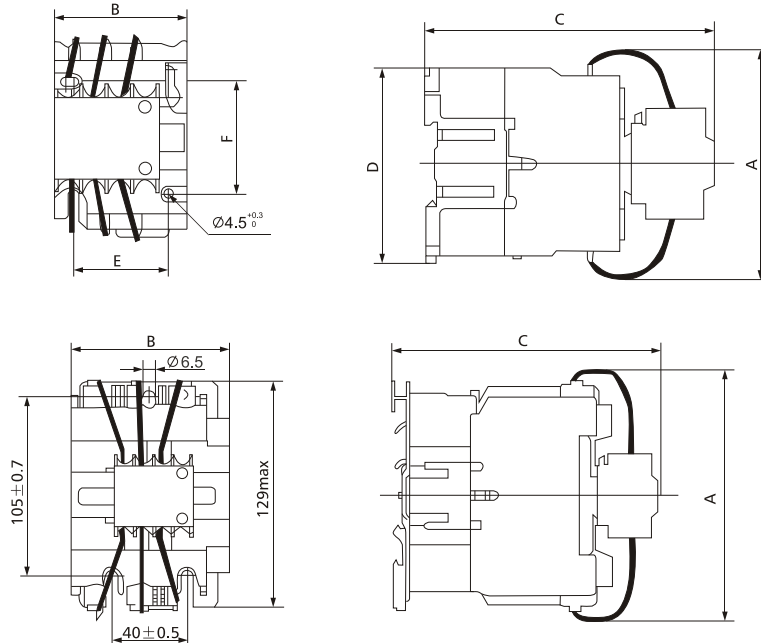
Specification

Electrical lfiie		CJ19-25C	CJ19-32C	CJ19-43C	CJ19-63C	CJ19-95C
Rating current Ie (380V)A		100	100	29	100	100
Power of controlled capacitor	220/230V	17	23	10	43	63
	380/400V	6	9	20	15	22
Rating insulation voltage(V)		12	18	500	30	40
Rating operational voltage(V)		380				
Restrained surge capacity		20Ie				
Operation range		Pick-up:(85%~110%);Drop-out:(20%~75%) Us				
Coil power(VA)	Start-up	70	110	110	200	200
	Holding	8	11	11	20	20
Control capacity of auxiliary contact		AC-15 360VA; DC-13 33W				
Weight(Kg)		0.44	0.63	0.64	1.4	1.5

Outline and Mounting Dimension



CJ19-63~95C



Type	Amax	Bmax	Cmax	Dmax	E	F	Note
CJ19-25C	80	47	124	76	34/35	50/60	Screw mount/ 35mm rail mount
CJ19-32C	90	58	134	86	40	48	
CJ19-43C	90	58	136	86	40	48	
CJ19-63C	132	79	150				
CJ19-95C	135	87	158				